

Compliance Made Easy

# Dorgard Pro

Dorgard Pro is a fire door retainer which holds open fire doors legally, allowing them to automatically close when an alarm is activated.



## Overview

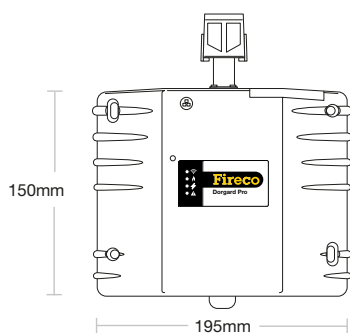
Dorgard Pro is a fire door retainer which holds open fire doors legally, allowing them to automatically close when an alarm is activated.

Dorgard Pro is controlled by ProHub, which is directly connected to the fire alarm panel.

## Features

- 2 year warranty
- Hassle-free installation
- Connects to ProHub or ProExtender
- Easily monitor all units with Site Manager\*
- Controlled by ProHub, not affected by background noise

## Product Dimensions



Overall Height	205mm
Casing Height	150mm
Width	195mm
Depth	45mm
Weight	~700g

\*Subscription to InSite required.

## Specification Overview

Power	2 x LR14 C-Size batteries
Warranty	2 years
Colour	Black or white
Casing	ABS Plastic
Activation	Radio signal (433-434 MHz)
Radio range	Typical internal range 30-40m
Hold open position	Can hold the door at any angle
Maximum door size	Power size 7 (maximum of 160kg and 1600mm width)
Audible warning	Yes
Compliant to	EN1155:1997+A1:2002, EN1634-1:2008, EMC Directive, Radio Equipment Directive, CE Marked, UKCA Marked
Classification	Critical (Category A) installations under BS 7273-4:2015+A1:2021
Installation position	Bottom of door
Part number	<b>360-1551</b> Dorgard Pro Black <b>956-8278</b> Dorgard Pro White